

For further information, please contact

Hearing Products

International Limited

Echo House,
26 Haigh Park,
Stockport,
SK4 1QR,
England

Tel. +44 (0) 161 480 8003
Fax +44 (0) 161 480 8006
e-mail info@hear4you.com
Website www.hear4you.com

Hearing Products

International Limited



Echo[®] DeskLoop[™]

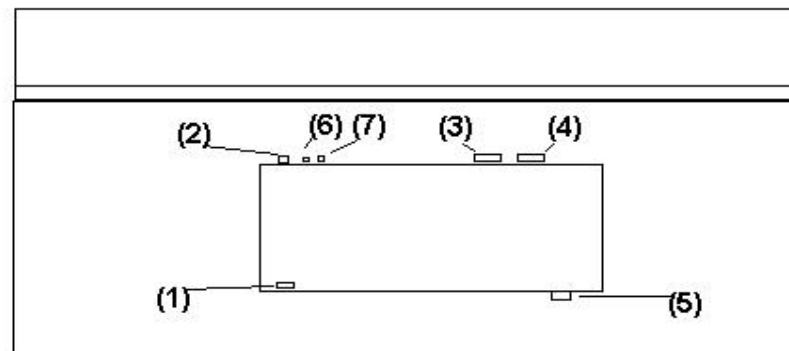
Echo[®] DeskLoop[™]

The Echo[®] DeskLoop[™] is a powerful and flexible Portable Loop. It is a perfect option for reception desks and interview rooms. The built in microphone picks up the speaker's voice and the powerful MegaLoop transmits it to the T-coil of the hearing aid. Setting up is simple and the unit has a range of 2-3 metres.



Instructions for Echo[®] DeskLoop[™]

View from above



1. Plug the DeskLoop[™] power supply into a standard electrical socket and then plug the power cord into socket (1).
2. Place the DeskLoop[™] on the Desk / Counter with front facing the hearing aid wearer and the microphone (5) towards the speaker.
3. Switch the DeskLoop[™] on by pressing button (2). The tone (3) and volume control (4) are preset and should not need adjusting. The hearing aid wearer simply switches to the T setting and speech is transmitted directly to the hearing aid.
4. The Green light (6) shows that the unit is on and the Red light will flash when sound enters the DeskLoop[™] to show that it is working.